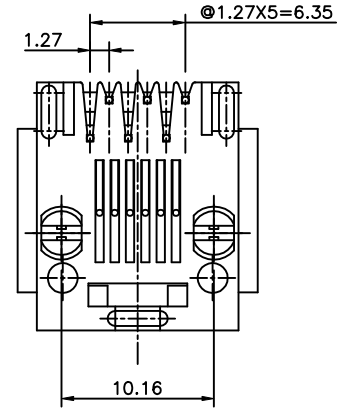
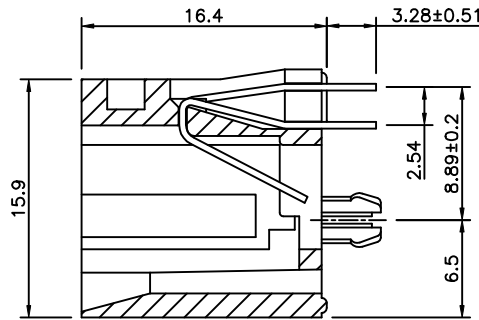
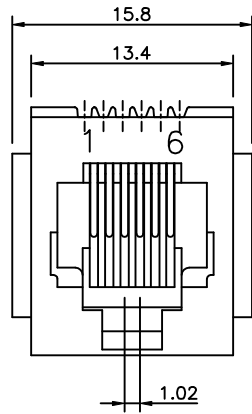


REVISION RECORD				
REV	ECO	DESCRIPTION	DRFT	CHKD
△		Add P/N	QIULER	03/08/05
△		Add P/N	ANKUE	08/11/05



NOTES:

ELECTRICAL:

- VOLTAGE RATING: 125 VAC RMS MIN.
- CURRENT RATING: 1.5 AMP MIN.
- CONTACT RESISTANCE: 30 MINIOHMS MAX.
- INSULATION RESISTANCE: 500 MEGOHMS MIN @ 500 VDC.
- DIELECTRIC STRENGTH: 1000 VAC RMS 60Hz, 1MIN.

MECHANICAL:

- HOUSING MATERIAL: GLASS FILLED POLYESTER UL94V-0.
- PLATING: GOLD PLATING OVER NICKEL.
- OPERATING LIFE: 250 CYCLES MIN.
- PCB RETENTION PRE-SOLDER: 1 LB MIN.
- PCB RETENTION POST-SOLDER: 10 LBS MIN.

ENVIRONMENTAL:

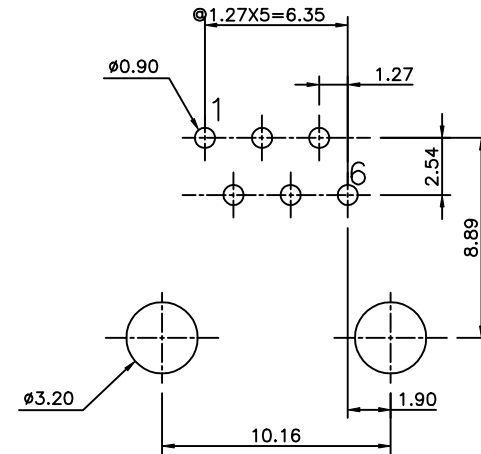
- STORAGE: -40°C TO +85°C.
- OPERATION: 0°C TO 70°C.

MATES WITH MODULAR PLUG CONFORMING TO FCC PART 68, SUBPART F.

CUL FILE NO. E163191

PART NUMBER: E526X-0000XX

NO. OF CONTACT	1- 3u"	2- 6u"
2-2 CONTACTS	3-15u"	4-30u"
4-4 CONTACTS	5-50u"	6-Pd 20u"
6-6 CONTACTS	M-W/PANEL STOP N-W/O PANEL STOP	



PC Board Layout
Component Side Shown

DETACHED LISTS	MM (INCH)	DFTO JAMIE DATE 11/20/97	FULL RISE ELECTRONIC CO., LTD	
	TOLERANCES EXCEPT AS NOTED	CHKD SAMMY DATE 2005/08/11		
	MM	MFO DATE	TITLE	
	.0 ±0.20 ±	APPV LUSHENG DATE 2005/08/11	MAXTOP TYPE	
.00 ±0.15 ±	MATERIAL :	180° TOP ENTRY PCB JACK 6P		
.000 ±0.075 ±	QT'Y :	DRAWING NO. GE523038	SIZE A3	
ANGLES ±	FINISH :	/PART NO. SEE NOTE	REV 2	
THIRD ANGLE PROJECTION	SCALE :	DO NOT SCALE DRAWING	SHEET X OF Y	